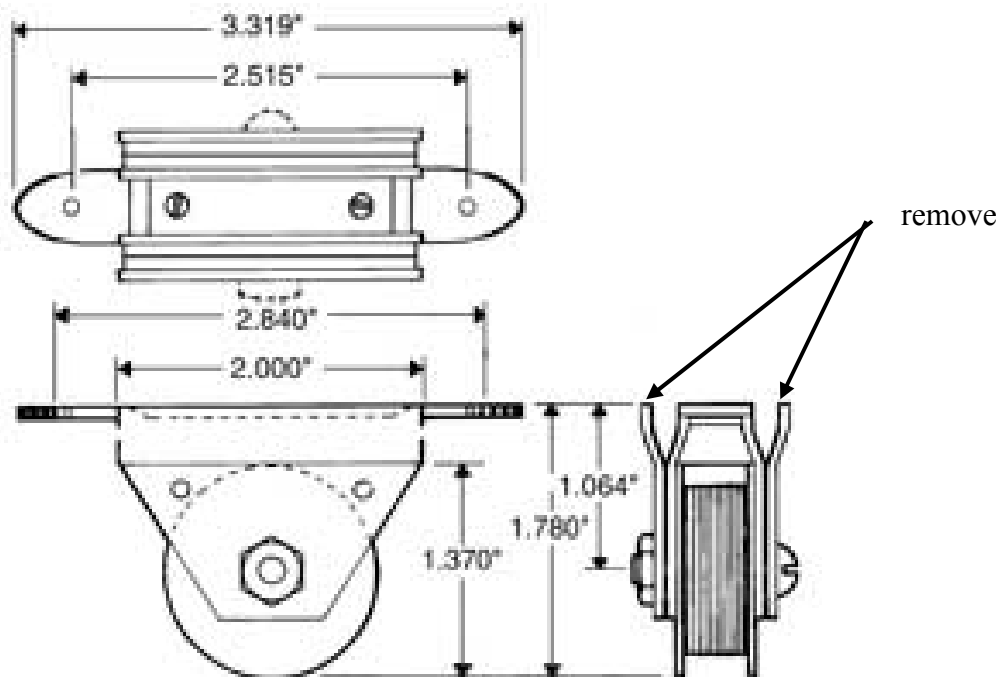
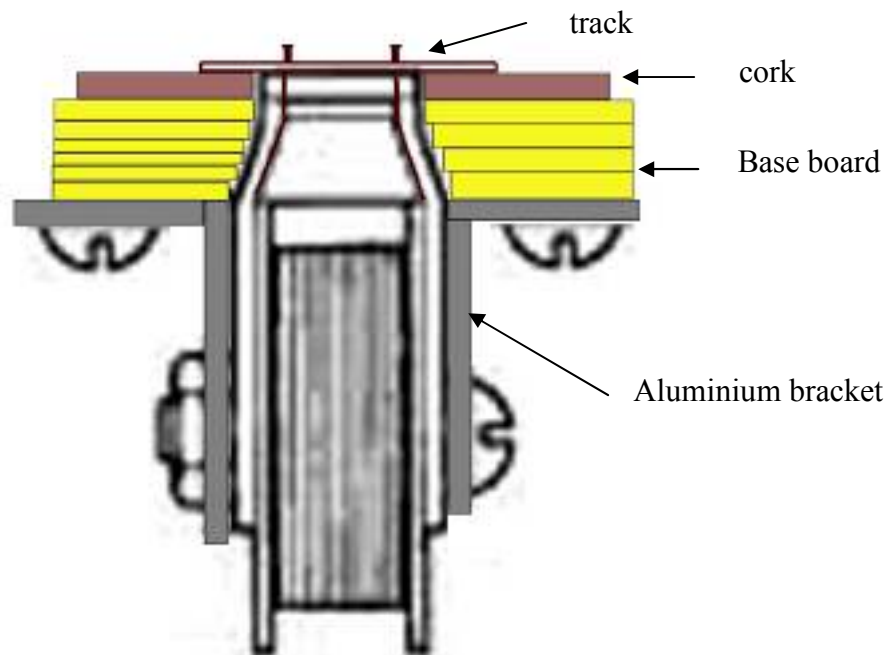


Kadee 's HO electro magnets used with Z scale.



I borrowed this picture from Kadee's site. This is HO #309 . For Z and N scale one can remove the outer metal plates.

Next illustration shows how I did build in the Kadee #307 or modified #309.



FB 2010-05-20 <http://www.home.zonnet.nl/frank.bergmans/index.html>

<http://www.kadee.com/htmbord/page309.htm>